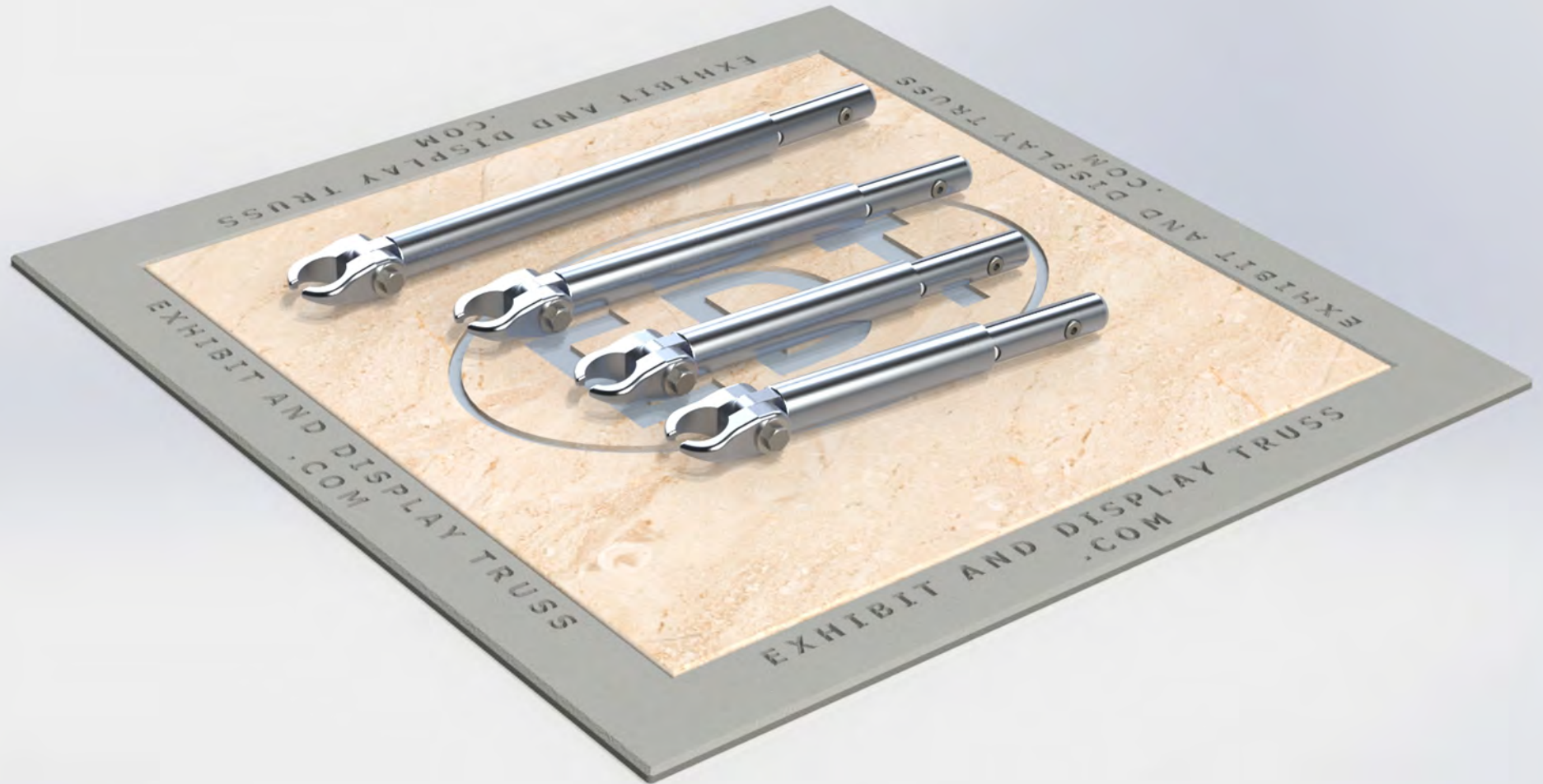


# 1" EXTENDER HOOK

Compatible with 1" Tubes/Chords

©2015 EXHIBIT AND DISPLAY TRUSS.COM



Toll Free: 855-323-4866  
Email: [info@exhibitanddisplaytruss.com](mailto:info@exhibitanddisplaytruss.com)

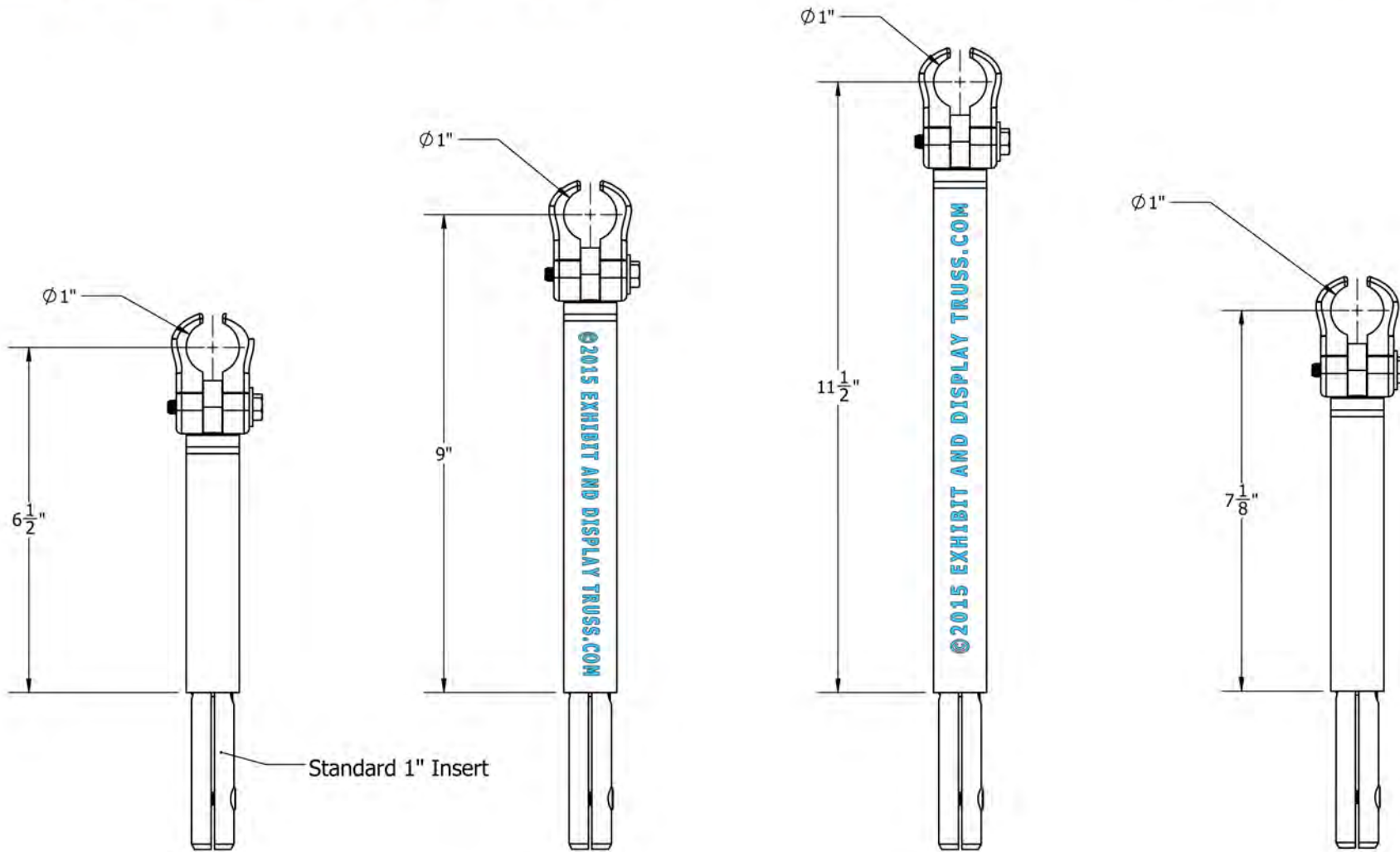
[ExhibitAndDisplayTruss.com](http://ExhibitAndDisplayTruss.com)

# 1" EXTENDER HOOK

Extender Hook Clamps for 6" Wide Aluminum Truss

Compatible with 1" Tubes/Chords

©2015 EXHIBIT AND DISPLAY TRUSS.COM



EDT6-EHC1

EDT6-EHC2

EDT6-EHC3

EDT6-EHC4

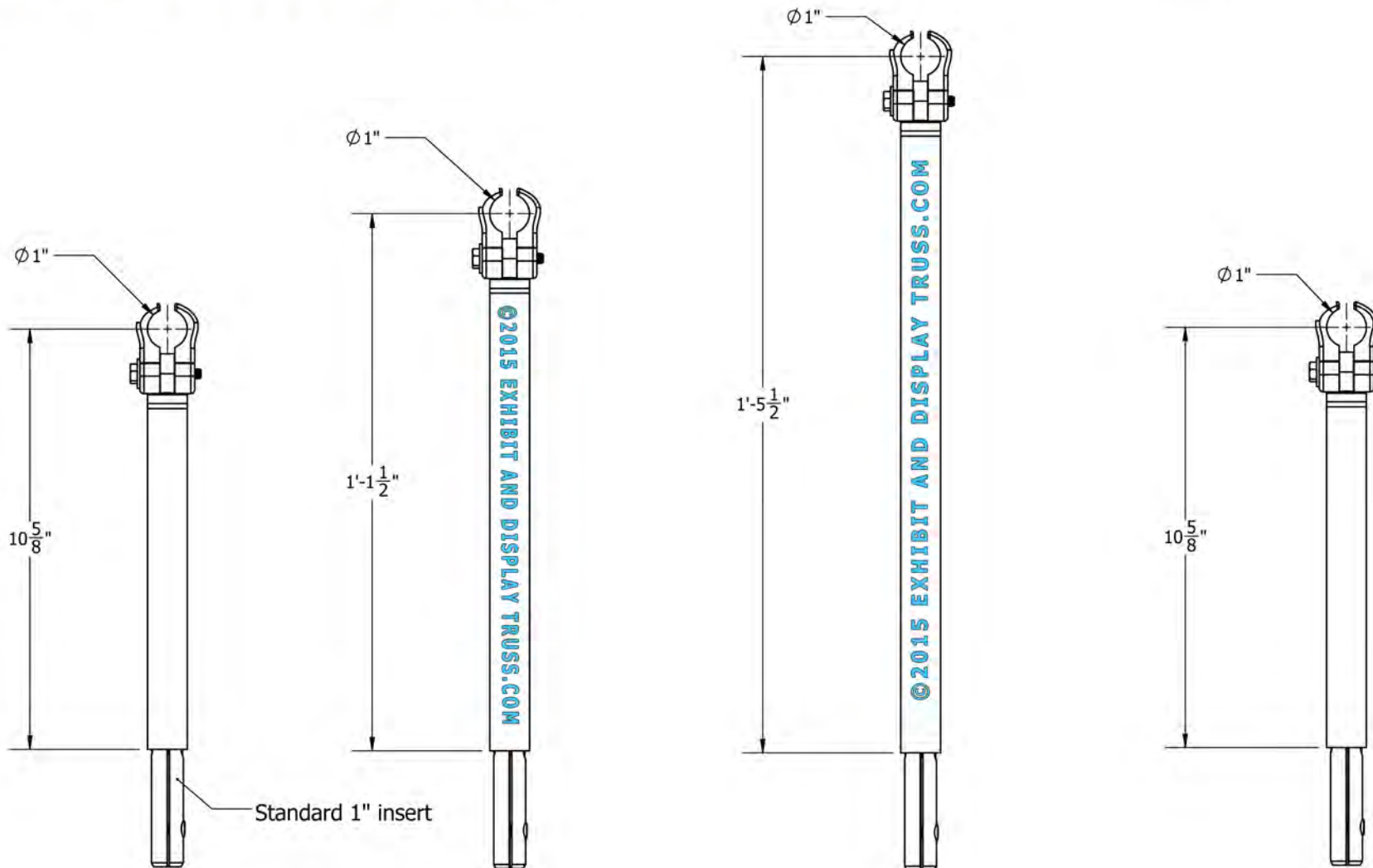
©2015 EXHIBIT AND DISPLAY TRUSS.COM

# 1" EXTENDER HOOK

Extender Hook Clamps for 9" Wide Aluminum Truss

Compatible with 1" Tubes/Chords

©2015 EXHIBIT AND DISPLAY TRUSS.COM



EDT9-EHC1

EDT9-EHC2

EDT9-EHC3

EDT9-EHC4

©2015 EXHIBIT AND DISPLAY TRUSS.COM



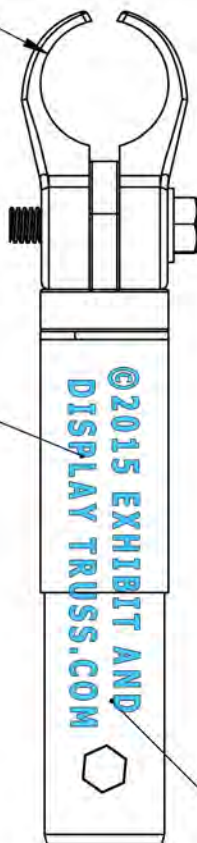
# EXTENDER HOOK CLAMP

Fits 1" and 2" Chords

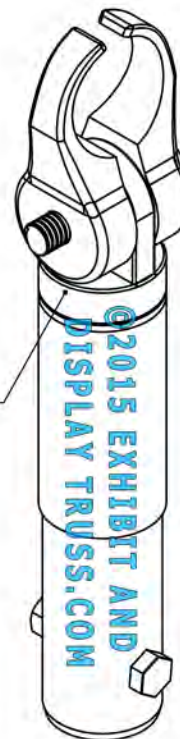
©2015 EXHIBIT AND DISPLAY TRUSS.COM

Ø2"  
[50.8mm]  
(Also comes in  
Ø1" [25.4mm])

Various lengths  
available

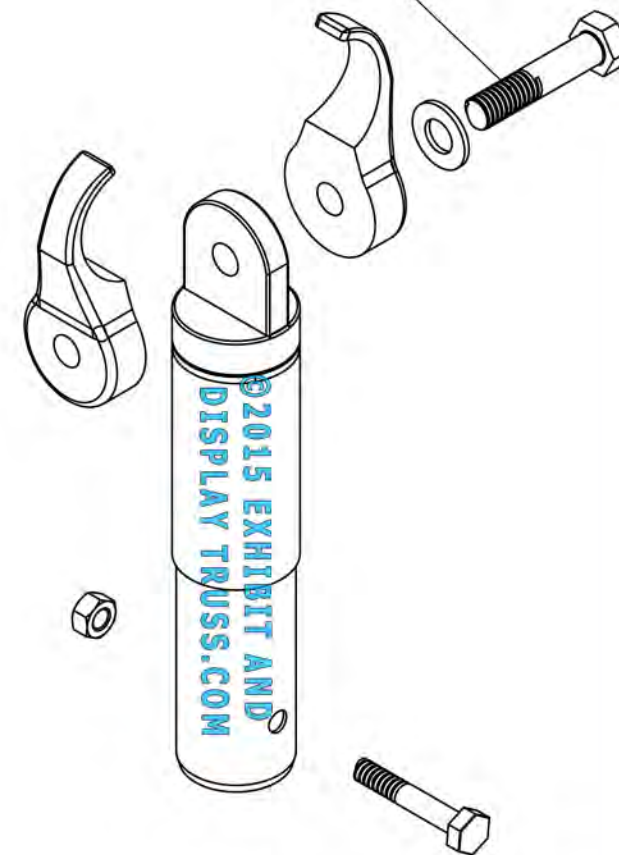


Extender hook  
can swivel to  
desired position



Standard 10" or 12"  
Spigot can be attached  
to other truss parts  
(Also available with  
expansion insert for the  
Ø1" Extender Hooks)

Loosening the bolt allows  
the hooks to rotate to desired  
position



**EXPLODED VIEW**

