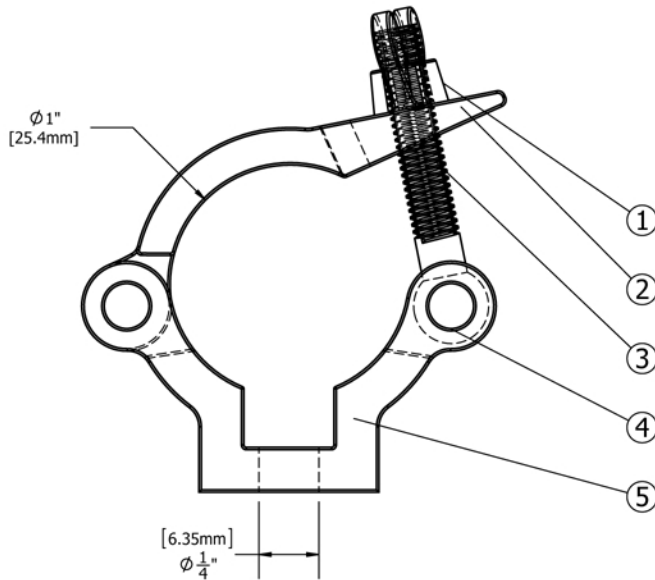


# 1" LIGHT DUTY CLAMPS

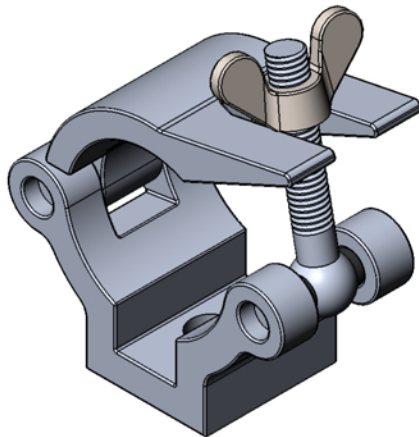
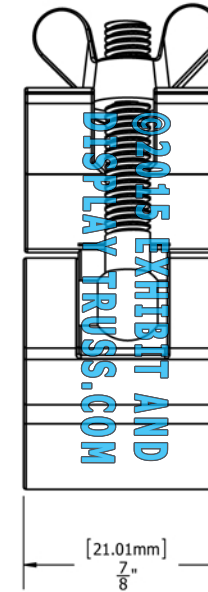
Compatible with 1" Chords/Tubes

EDT1-LDC1 (Single Tube Clamp)  
EDT1-LDC2 (Double Tube Clamp)

©2015 EXHIBIT AND DISPLAY TRUSS.COM



Total Width (with wing nut):  
2.1" [53.2mm]  
Total Height: 2.1" [53.2mm]



ITEM NO.	PART NUMBER	QTY.
①	Wing Nut	1
②	Moving Plate	1
③	Eye Bolt	1
④	Spring Pin 5x42	2
⑤	Base Plate	1

\* Compatible with 1"Ø Chords/Tubes  
\* Bolt 2 together to make Double Tube Clamp (EDT1-LDC2)