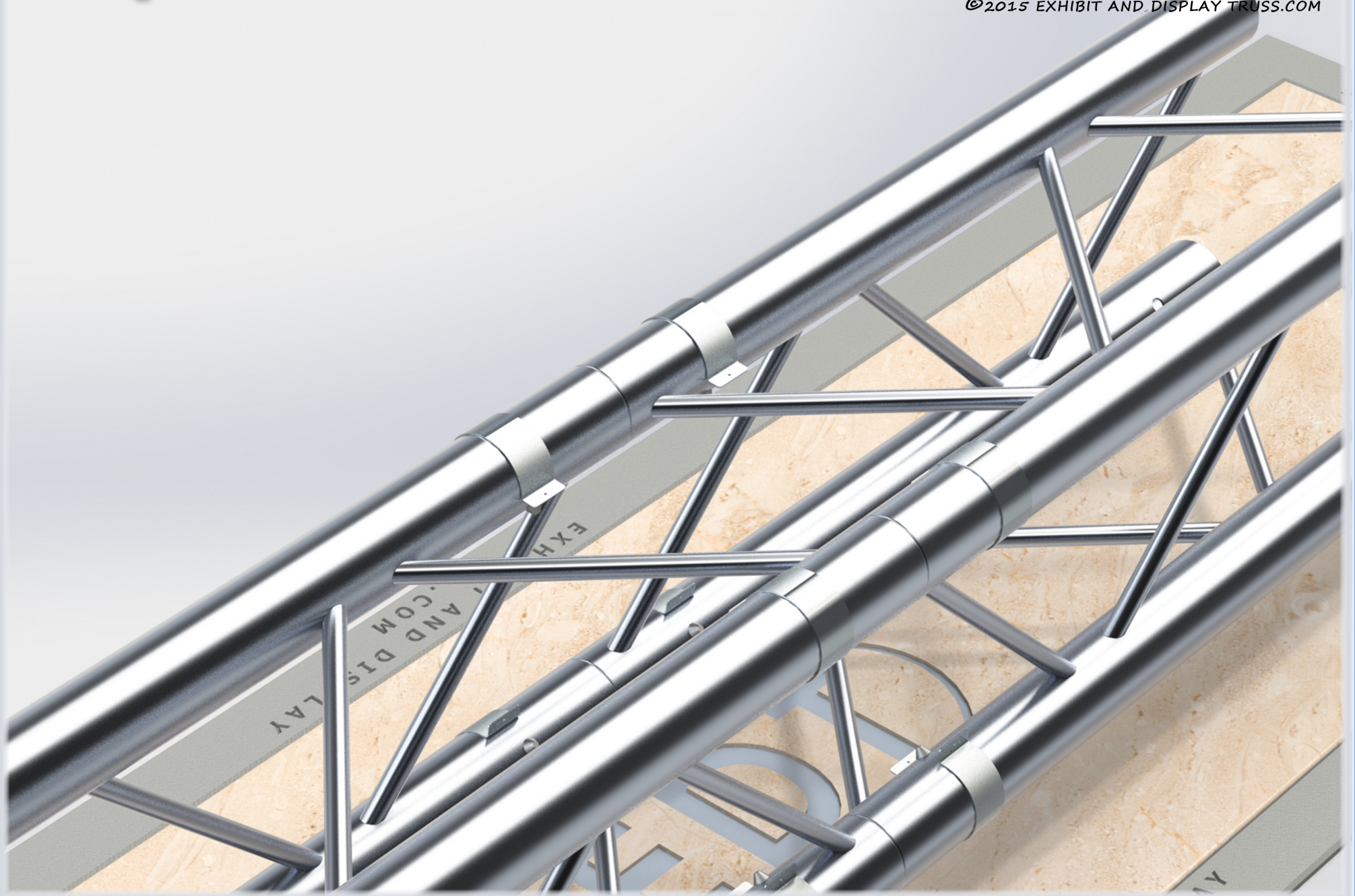


QUICK CLIPS

Made to fit 2" Tube

©2015 EXHIBIT AND DISPLAY TRUSS.COM



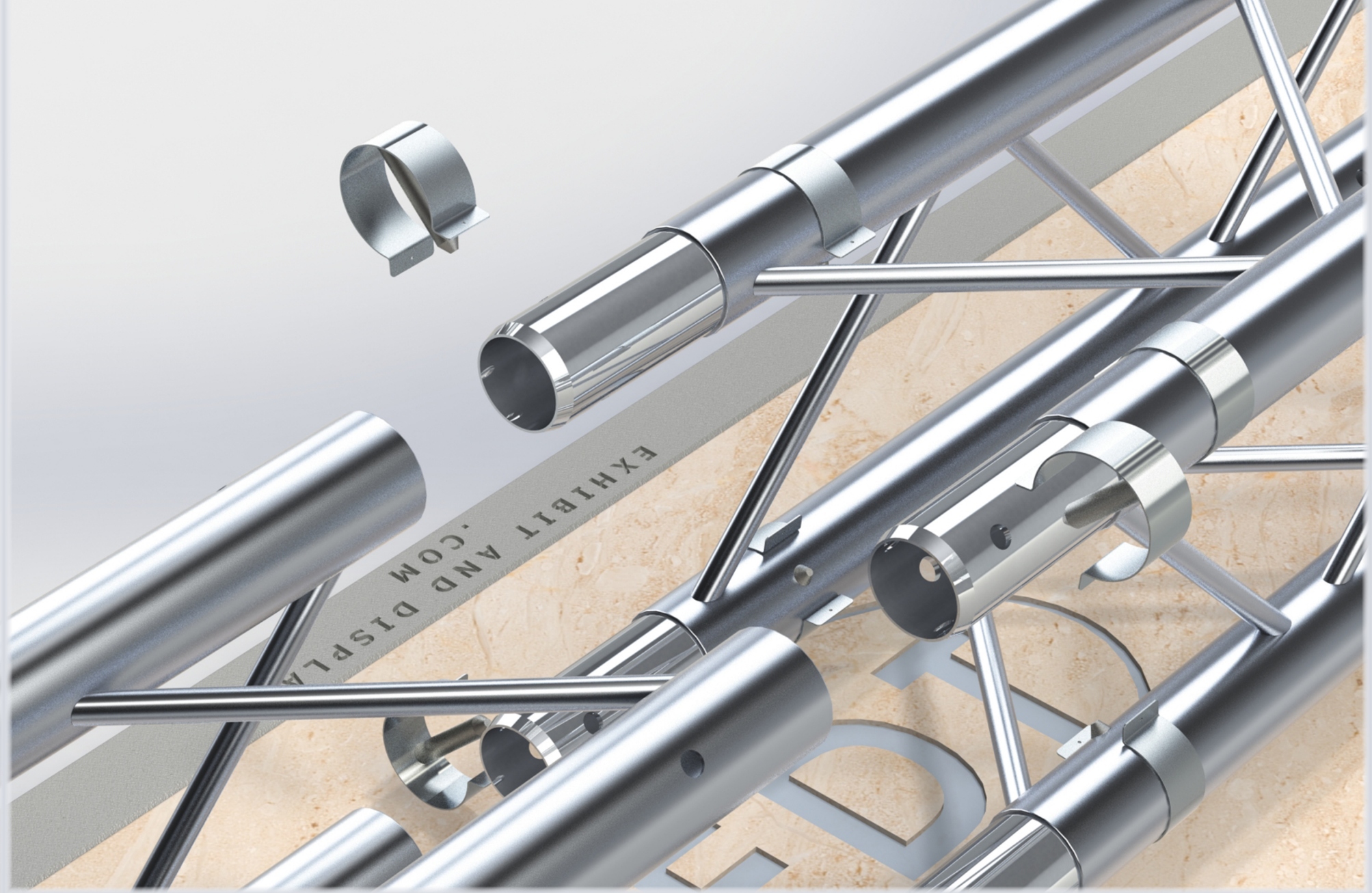
Toll Free: 855-323-4866
Email: info@exhibitanddisplaytruss.com

ExhibitAndDisplayTruss.com

QUICK CLIPS

Made to fit 2" Tube

©2015 EXHIBIT AND DISPLAY TRUSS.COM



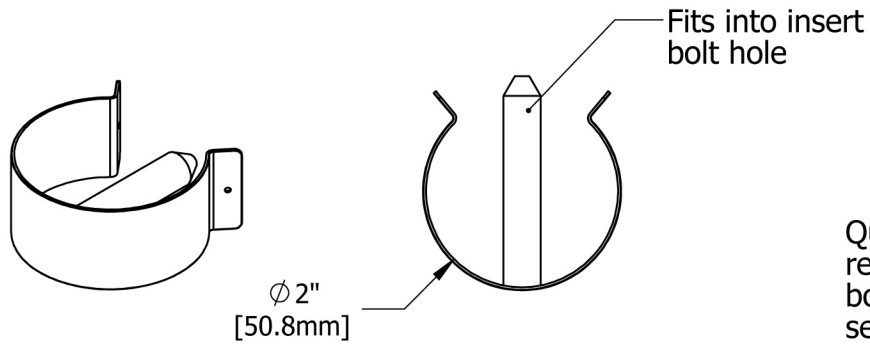
Toll Free: 855-323-4866
Email: info@exhibitanddisplaytruss.com

ExhibitAndDisplayTruss.com

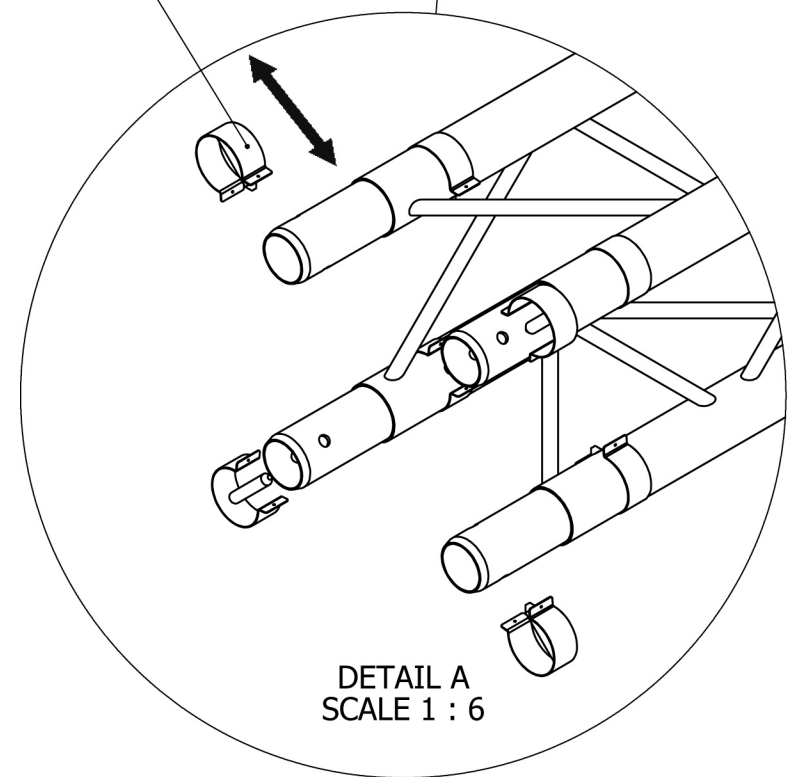
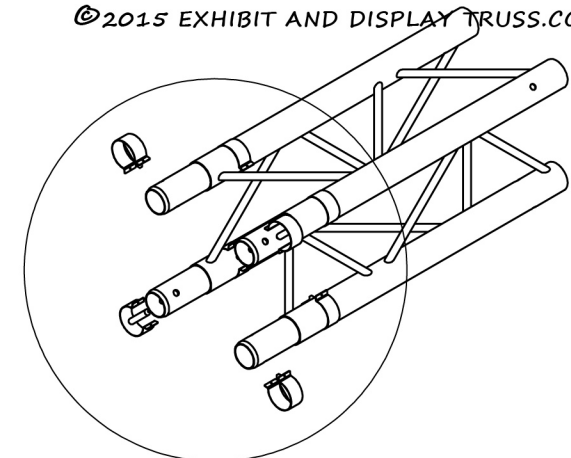
QUICK CLIPS

Made to fit 2" Tube

©2015 EXHIBIT AND DISPLAY TRUSS.COM



Quick Clips can replace nuts and bolts, making it a quick setup solution. Used with standard inserts.



Connecting 2 Pieces of Truss Together:

- 1) Insert the Spigot in the 2"Ø truss tube, making sure to align the holes.
- 2) Place the Quick Clip through the holes and push, securing the quick clip.
- 3) Place the other 2"Ø tube over the exposed spigot and repeat Step 2.