

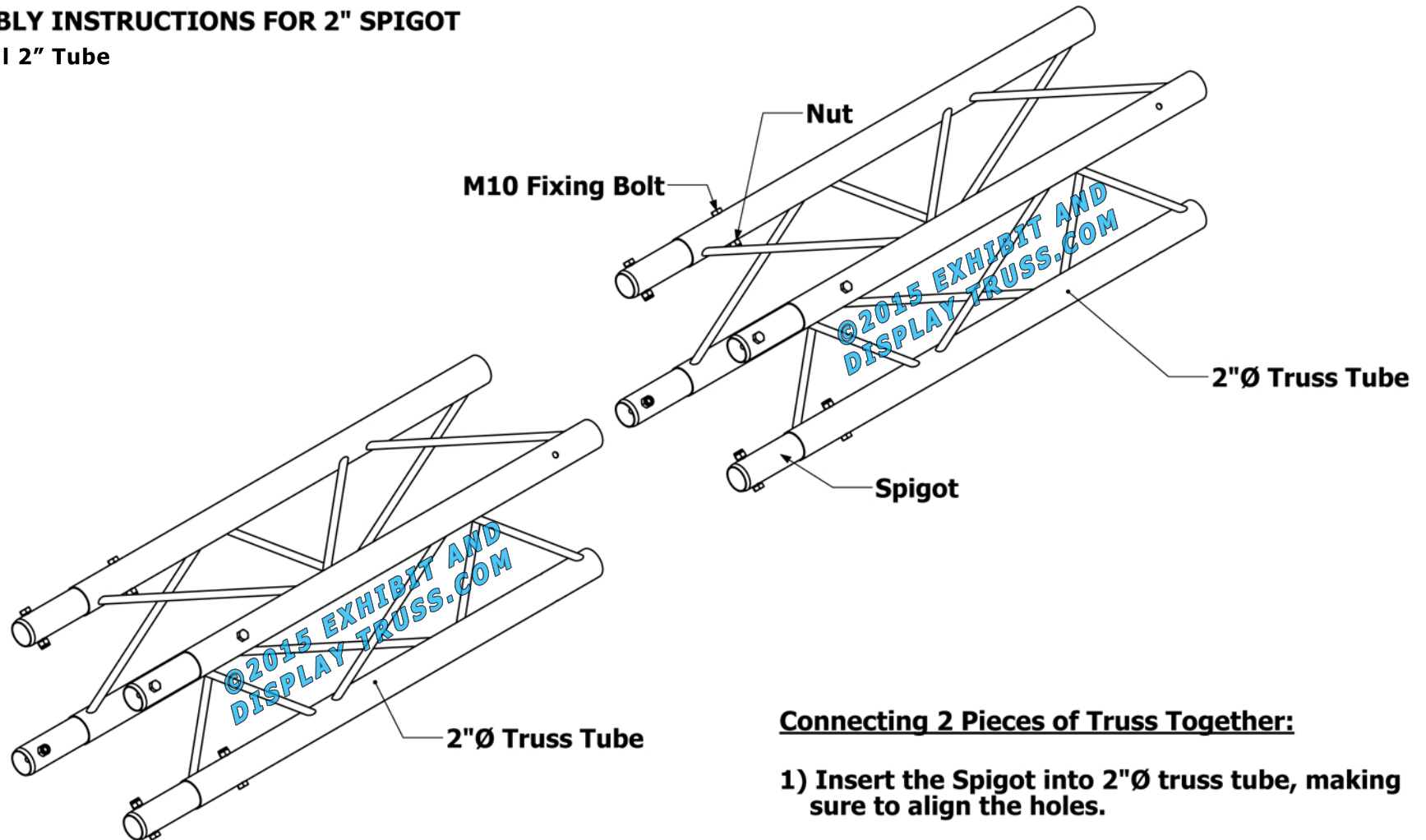
2" CONNECTION INSERT

Fits all 2" Tube

©2015 EXHIBIT AND DISPLAY TRUSS.COM

ASSEMBLY INSTRUCTIONS FOR 2" SPIGOT

Fits all 2" Tube



Connecting 2 Pieces of Truss Together:

- 1) Insert the Spigot into 2"Ø truss tube, making sure to align the holes.
- 2) Place M10 Fixing bolt through both holes and thread nut on the other end. Do not overtighten.
- 3) Place the other 2"Ø Tube over the the exposed Spigot end and repeat step 2.