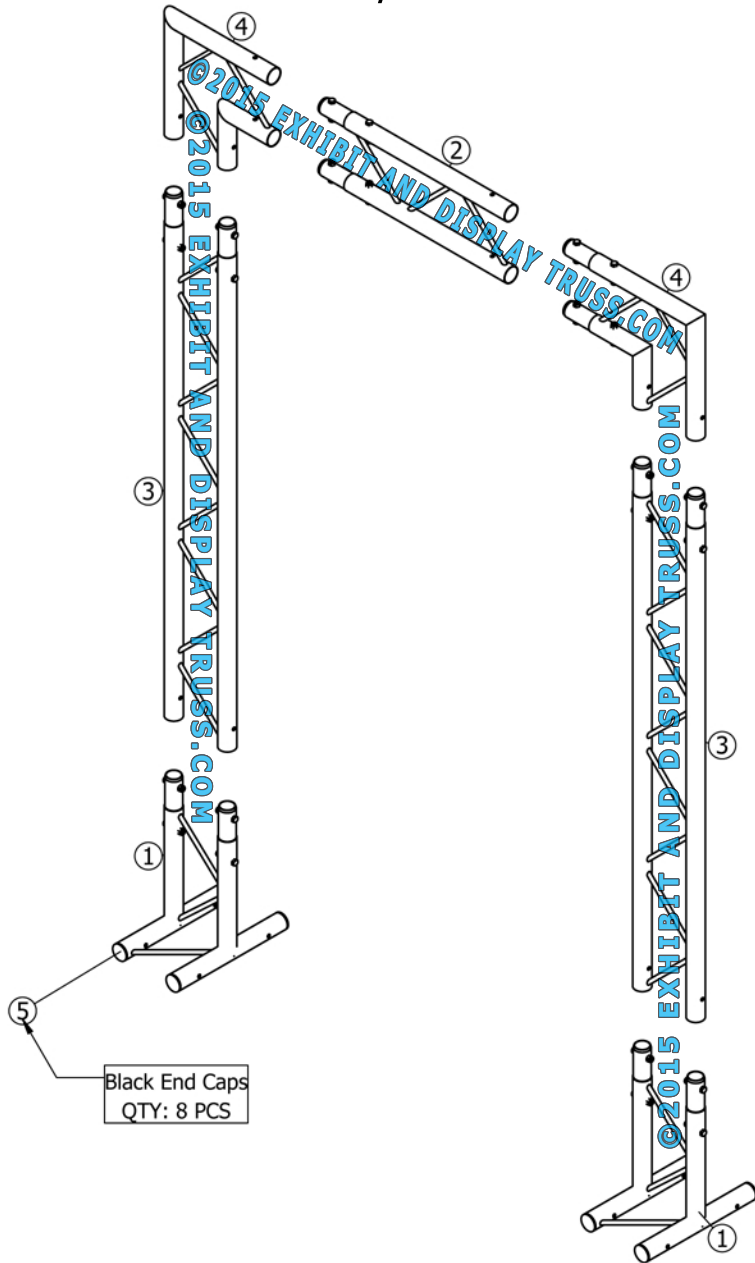


KIT: A35-102

10" Wide Aluminum Truss. 2" Chords with 1/2" Webs

©2015 EXHIBIT AND DISPLAY TRUSS.COM

Portable Banner Stand/Banner Frame



EXPLODED VIEW

©2015 EXHIBIT AND DISPLAY TRUSS.COM

ITEM NO.	PART NUMBER	DESCRIPTION	QTY.
①	EDT10-L3WTV	3 Way 90° "T" Junction Vertical	2
②	EDT10-L0.6	0.6m Ladder Truss	1
③	EDT10-L1.6	1.6m Ladder Truss	2
④	EDT10-L2W90H	2 Way 90° Junction Horizontal	2
⑤	EDT2-ECB	2" End Cap Black	8