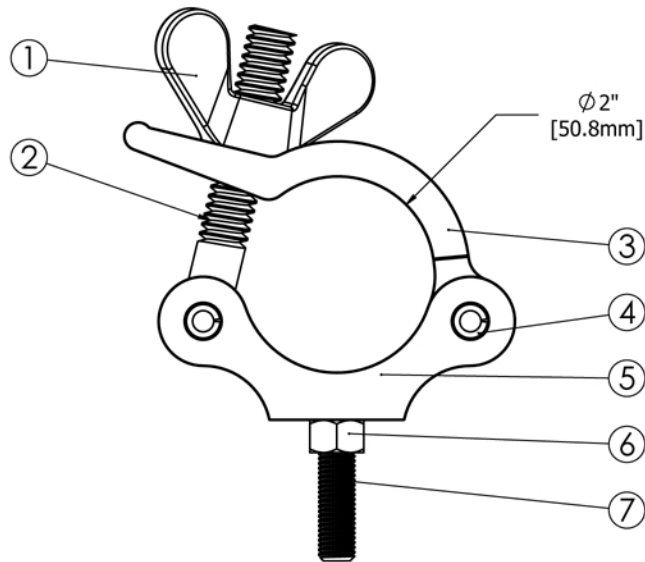


HEAVY DUTY CLAMPS

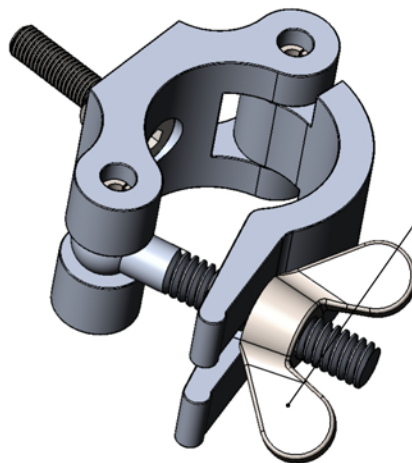
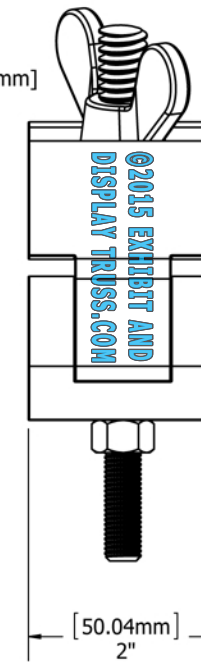
Compatible with 2" Chords/Tubes

©2015 EXHIBIT AND DISPLAY TRUSS.COM

EDT2-STC (Single Tube Clamp)
EDT2-DTC (Double Tube Clamp)



Total width when closed
(including wing nut): 4.8" [122mm]
Total Height: 5.2" [133mm]



Adjust wing nut to secure
around 2"Ø Tube

ITEM NO.	PART NUMBER	QTY.
①	Wing Nut 1/2"-12	1
②	Eye Bolt 1/2"-12	1
③	Moving Plate	1
④	Spring Pin-10x45	2
⑤	Base Plate	1
⑥	HNUT 0.3750-16-D-N	1
⑦	Pro Bolt 3/8"-16	1

*Compatible with 2"Ø Chords/Tubes
*Bolt 2 together to make Double Tube Clamp (EDT2-DTC)