

PART: EDT12-L2W45V

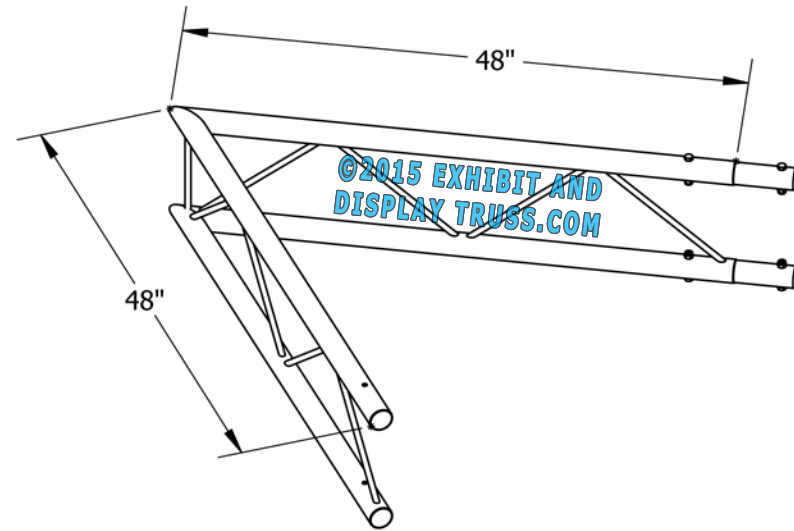
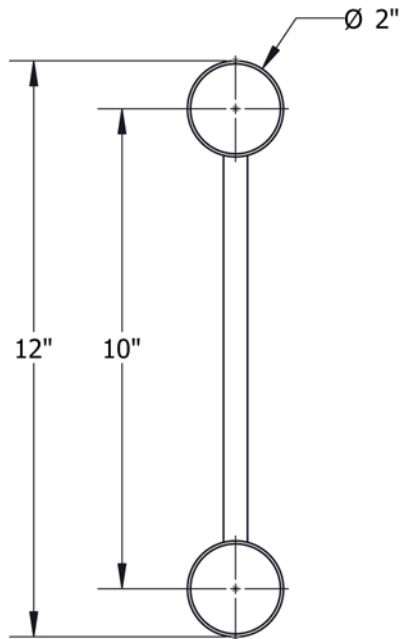
12" Wide Aluminum Truss. 2" Chords with 1/2" Webs

©2015 EXHIBIT AND DISPLAY TRUSS.COM

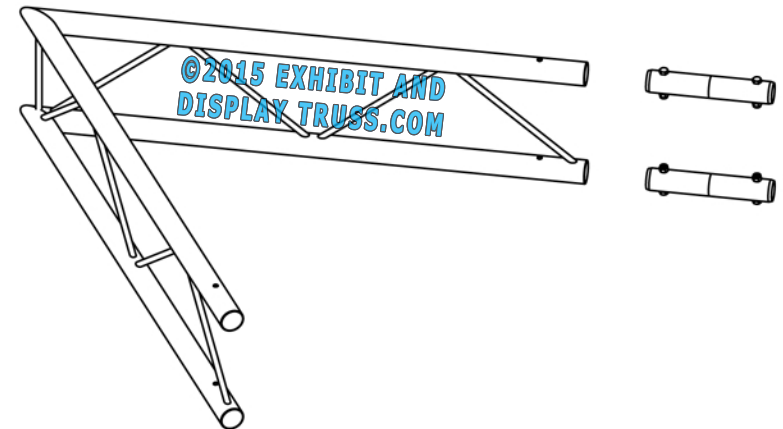
2 Way 45° Junction Vertical

Truss Profile

12" Wide Ladder Truss (Vertical)
2"Ø Chords, 1/2"Ø Webs



COLLAPSED VIEW



EXPLODED VIEW