

PART: EDT10-T2W45

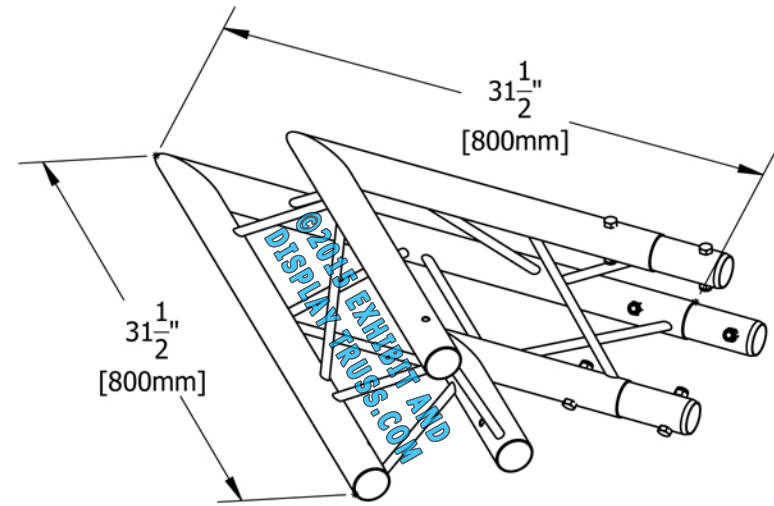
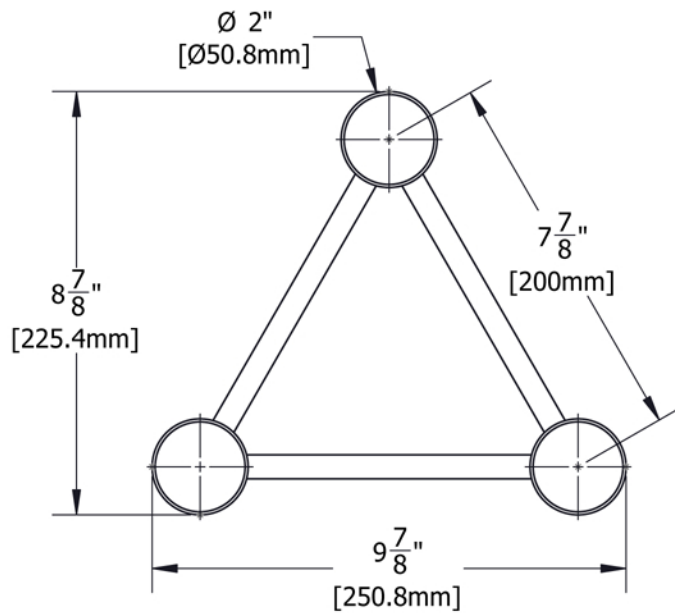
10" Wide Aluminum Truss. 2" Chords with 1/2" Webs

©2015 EXHIBIT AND DISPLAY TRUSS.COM

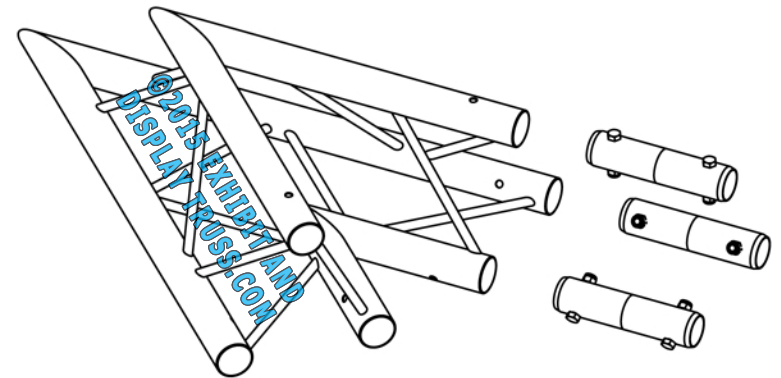
2 Way 45° Junction Apex Up/Down

Truss Profile

10" Wide Triangle Truss
Ø 2" Chords, Ø1/2" Webs



COLLAPSED VIEW



EXPLODED VIEW