

# PART: EDT6-T2W45

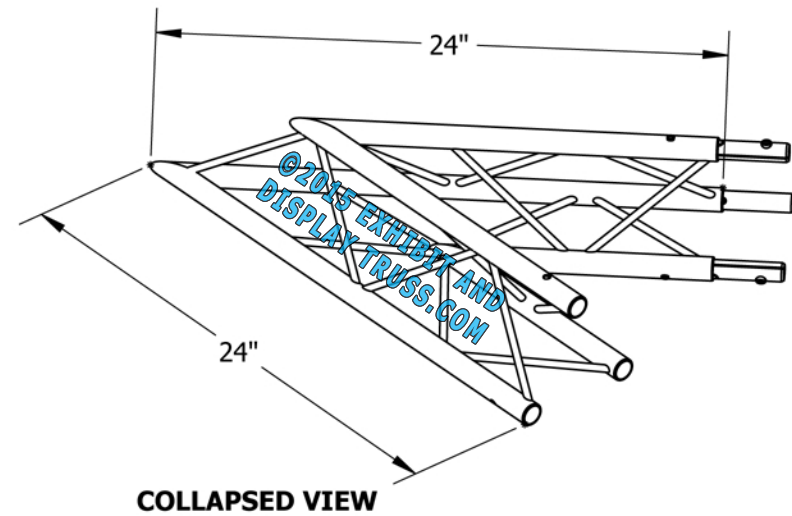
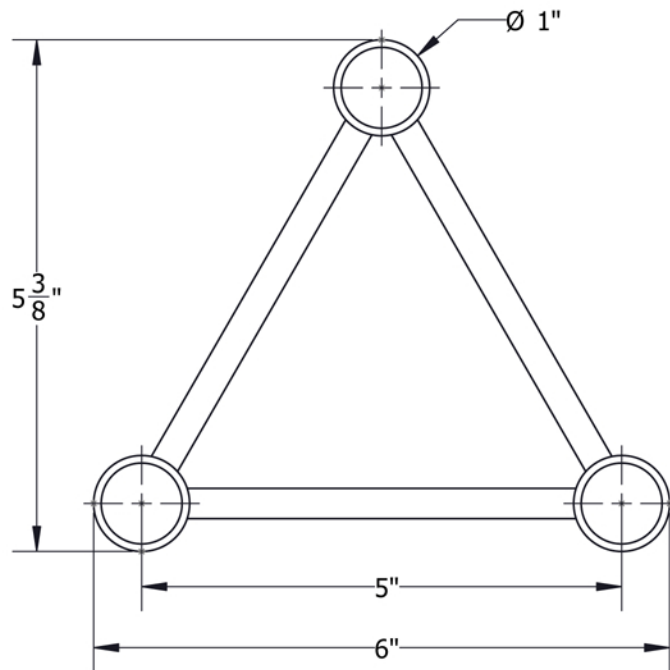
6" Wide Aluminum Truss. 1" Chords with 5/16" Webs

©2015 EXHIBIT AND DISPLAY TRUSS.COM

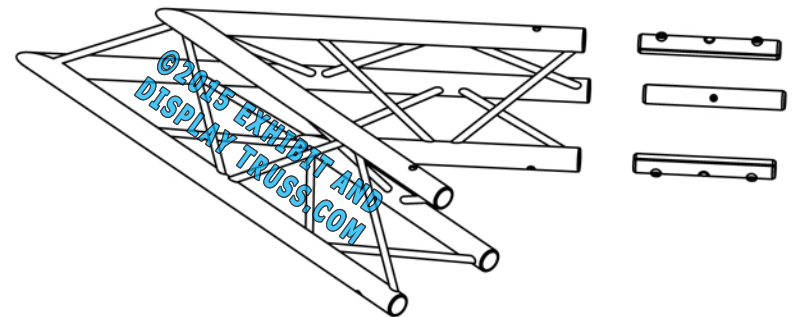
2 Way 45° Junction Apex Up/Down

## Truss Profile

6" Wide Triangle Truss  
1"Ø Chords, 5/16"Ø Webs



COLLAPSED VIEW



EXPLODED VIEW