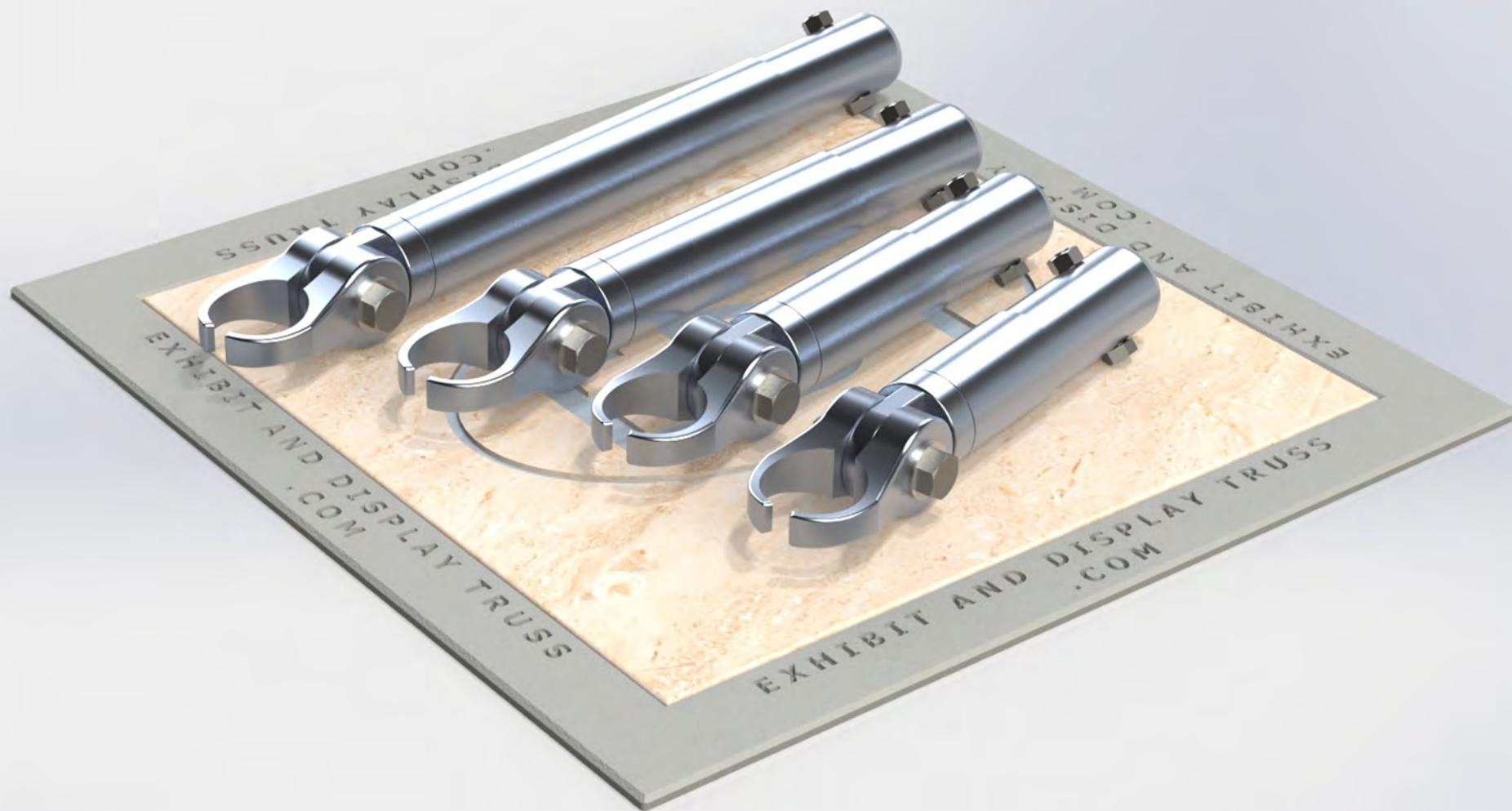


2" EXTENDER HOOK

Compatible with 2" Tubes/Chords

©2015 EXHIBIT AND DISPLAY TRUSS.COM



Toll Free: 855-323-4866
Email: info@exhibitanddisplaytruss.com

ExhibitAndDisplayTruss.com

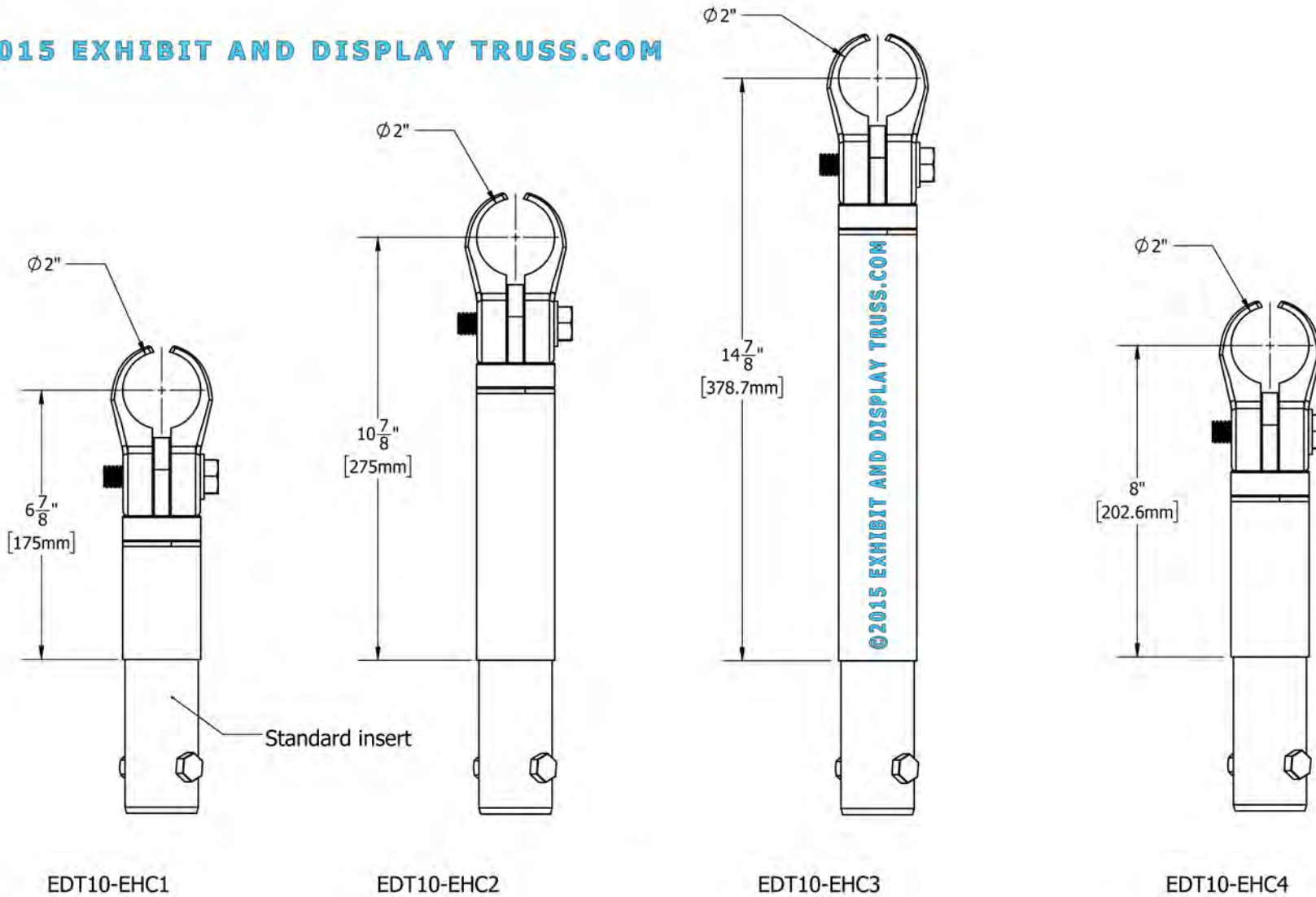
2" EXTENDER HOOK

Extender Hook Clamps for 10" Wide Aluminum Truss

Compatible with 2" Tubes/Chords

©2015 EXHIBIT AND DISPLAY TRUSS.COM

©2015 EXHIBIT AND DISPLAY TRUSS.COM



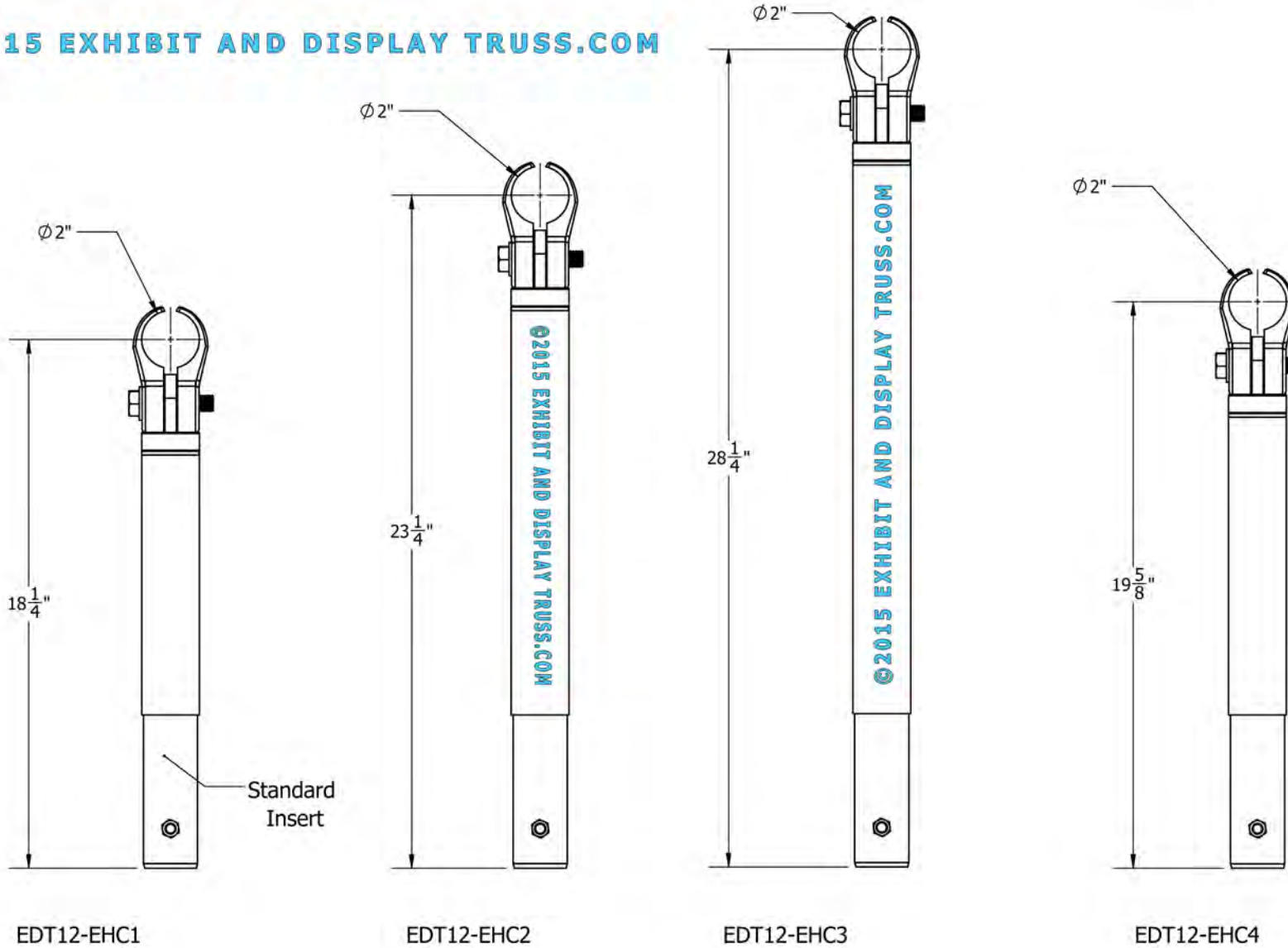
2" EXTENDER HOOK

Extender Hook Clamps for 12" Wide Aluminum Truss

Compatible with 2" Tubes/Chords

©2015 EXHIBIT AND DISPLAY TRUSS.COM

©2015 EXHIBIT AND DISPLAY TRUSS.COM



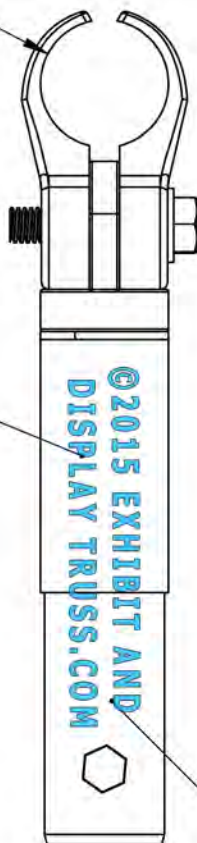
EXTENDER HOOK CLAMP

Fits 1" and 2" Chords

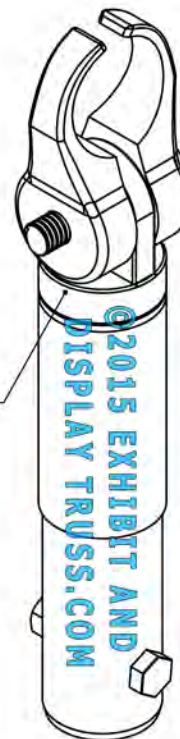
©2015 EXHIBIT AND DISPLAY TRUSS.COM

Ø2"
[50.8mm]
(Also comes in
Ø1" [25.4mm])

Various lengths
available

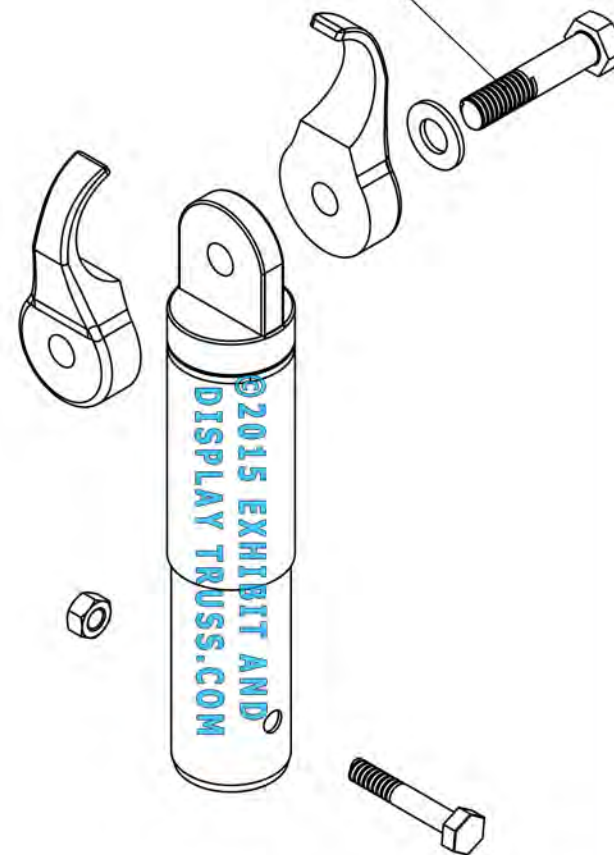


Extender hook
can swivel to
desired position



Standard 10" or 12"
Spigot can be attached
to other truss parts
(Also available with
expansion insert for the
Ø1" Extender Hooks)

Loosening the bolt allows
the hooks to rotate to desired
position

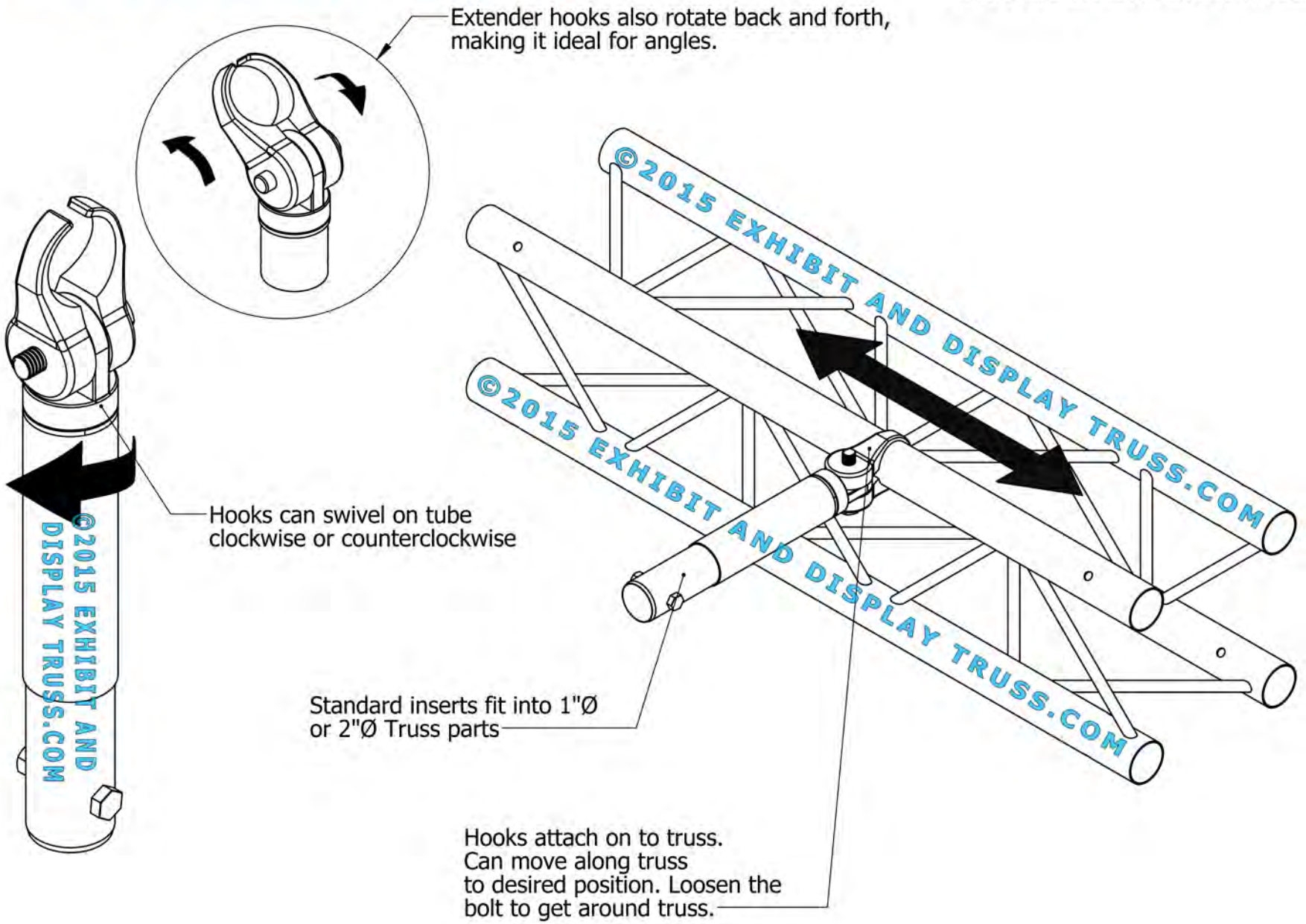


EXPLODED VIEW

EXTENDER HOOK CLAMP

Fits 1" and 2" Chords

©2015 EXHIBIT AND DISPLAY TRUSS.COM



Extender hooks also rotate back and forth, making it ideal for angles.

Hooks can swivel on tube clockwise or counterclockwise

Standard inserts fit into 1"Ø or 2"Ø Truss parts

Hooks attach on to truss. Can move along truss to desired position. Loosen the bolt to get around truss.

Toll Free: 855-323-4866
Email: info@exhibitanddisplaytruss.com

ExhibitAndDisplayTruss.com